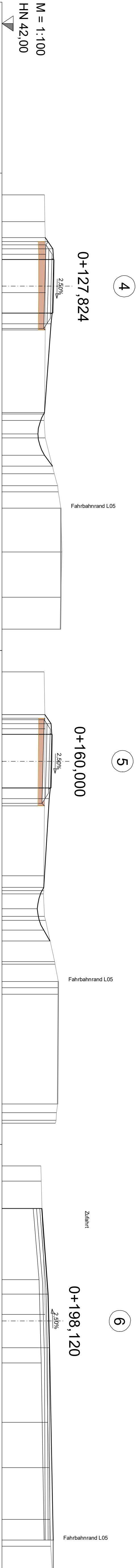


Planung Radweg	Planum	Gelände	Oberbodenabtrag
2,353 43,592	2,093 43,765 1,936 43,661	4,353 43,583	2,093 43,373 2,050 43,374 1,467 43,397 0,906 43,424 0,239 43,490 0,000 43,560 0,841 43,806 1,569 43,973 1,916 44,006 2,645 44,368
1,750 43,994	0,000 43,708	0,000 43,710	0,239 43,710 0,000 43,760
1,265 44,052 1,250 44,082	0,000 44,113	0,000 44,113	0,841 44,026 1,569 44,193 1,916 44,226 2,645 44,368
1,250 44,144 1,265 44,114 1,750 44,084 1,981 44,239	1,970 43,756	1,970 43,756	2,645 44,368
5,966 43,969 6,271 43,957	2,566 44,353	2,566 44,353	7,520 44,368 8,076 44,383 8,607 44,369 8,763 44,360
7,094 44,001	10,031 44,315 10,048 44,326	10,031 44,315 10,048 44,326	10,031 44,315 10,048 44,326
8,759 44,439	11,305 44,031	11,305 44,031	11,305 44,031
9,316 44,576 9,616 44,623	11,820 43,886 11,981 43,918	11,820 43,886 11,981 43,918	11,820 43,886 11,981 43,918
10,369 44,732	4,100 43,642	4,100 43,642	4,100 43,642
12,421 44,780	2,079 43,689 1,936 43,583	2,079 43,689 1,936 43,583	2,079 43,689 2,079 43,294
14,535 44,728	0,000 43,950	0,000 43,950	1,179 43,315
16,027 44,713	1,265 43,919 1,265 43,889 1,750 43,830	1,265 43,951 1,250 43,981	0,000 43,311
4,176 43,954	1,250 43,919 1,265 43,889 1,750 43,830	1,250 43,919 1,265 43,889 1,750 43,830	2,173 43,304 2,173 43,699
2,177 43,994	1,970 43,496 2,173 43,699	1,970 43,496 2,173 43,699	2,372 43,698
1,522 44,008	5,903 43,682	5,903 43,682	6,020 43,681
0,000 43,690	6,903 43,382	6,903 43,382	6,706 43,727
2,009 43,998 2,009 43,695 1,522 43,705	7,903 43,682	7,903 43,682	7,449 43,741
1,522 44,008	8,403 44,010	8,403 44,010	8,929 44,158 9,238 44,254 9,469 44,333 9,921 44,395 10,395 44,468
0,000 43,690	11,822 44,507	11,822 44,507	11,822 44,507
2,091 43,669 2,091 43,973	13,393 44,468	13,393 44,468	13,393 44,468
2,091 43,669 2,091 43,973	16,104 44,468 16,567 44,440	16,104 44,468 16,567 44,440	16,104 44,468 16,567 44,440
0,000 43,690	17,753 44,129 18,402 44,261	17,753 44,129 18,402 44,261	17,753 44,129 18,402 44,261
2,091 43,669 2,091 43,973	18,402 44,261	18,402 44,261	18,402 44,261
2,091 43,669 2,091 43,973	16,029 44,583 16,429 44,536 16,795 44,514 16,915 44,481	16,029 44,583 16,429 44,536 16,795 44,514 16,915 44,481	16,029 44,583 16,429 44,536 16,795 44,514 16,915 44,481
2,091 43,669 2,091 43,973	7,250 43,811 6,533 43,829	7,250 43,811 6,533 43,829	7,250 43,811 6,533 43,829
2,091 43,669 2,091 43,973	5,269 43,855	5,269 43,855	5,269 43,855
2,091 43,669 2,091 43,973	5,250 43,445	5,250 43,445	5,250 43,445
2,091 43,669 2,091 43,973	5,250 43,855	5,250 43,855	5,250 43,855
2,091 43,669 2,091 43,973	1,936 43,727	1,936 43,727	1,936 43,727
2,091 43,669 2,091 43,973	1,250 44,149	1,250 44,149	1,250 44,149
2,091 43,669 2,091 43,973	0,000 44,180	0,000 44,180	0,000 44,180
2,091 43,669 2,091 43,973	1,250 44,211	1,250 44,211	1,250 44,211
2,091 43,669 2,091 43,973	1,970 43,824	1,970 43,824	1,970 43,824
2,091 43,669 2,091 43,973	4,742 44,119	4,742 44,119	4,742 44,119
2,091 43,669 2,091 43,973	6,864 44,186	6,864 44,186	6,864 44,186
2,091 43,669 2,091 43,973	9,282 44,222	9,282 44,222	9,282 44,222
2,091 43,669 2,091 43,973	10,543 44,264	10,543 44,264	10,543 44,264
2,091 43,669 2,091 43,973	12,416 44,372	12,416 44,372	12,416 44,372
2,091 43,669 2,091 43,973	16,018 44,371 16,604 44,305	16,018 44,371 16,604 44,305	16,018 44,371 16,604 44,305



Planung Radweg	Planum	Gelände	Oberbodenabtrag
2,282 44,007	2,090 44,136 1,936 44,033	4,282 43,966	2,090 44,012 2,090 43,683 1,492 43,696
1,750 44,362	0,000 43,985	0,000 44,031 0,297 44,032	0,000 43,701 0,297 43,703
1,265 44,391 1,250 44,421	0,000 43,985	0,000 44,031 0,297 44,032	2,047 43,683 2,047 44,012
1,250 44,359 1,265 44,329 1,750 44,270	1,970 43,936 2,047 44,012	1,970 43,936 2,047 44,012	2,047 43,683 2,047 44,012
5,903 43,970	5,966 43,969 6,271 43,957	5,966 43,969 6,271 43,957	5,966 43,969 6,271 43,957
6,903 43,670	7,094 44,001	7,094 44,001	7,094 44,001
7,903 43,970	8,759 44,439	8,759 44,439	8,759 44,439
8,403 44,345	9,316 44,576 9,616 44,623	9,316 44,576 9,616 44,623	9,316 44,576 9,616 44,623
8,403 44,345	10,369 44,732	10,369 44,732	10,369 44,732
8,403 44,345	12,421 44,780	12,421 44,780	12,421 44,780
8,403 44,345	14,535 44,728	14,535 44,728	14,535 44,728
8,403 44,345	16,027 44,713	16,027 44,713	16,027 44,713
2,176 43,994	2,177 43,994	2,176 43,994	2,176 43,994
1,750 44,278	1,522 44,008	1,522 44,008	1,522 44,008
1,265 44,307 1,250 44,337	1,522 44,008	1,522 44,008	1,522 44,008
1,250 44,274 1,265 44,244 1,750 44,186	0,000 43,993	0,000 43,993	0,000 43,690
1,250 44,274 1,265 44,244 1,750 44,186	0,000 43,993	0,000 43,993	0,000 43,690
1,250 44,274 1,265 44,244 1,750 44,186	1,970 43,851 2,091 43,973	1,970 43,851 2,091 43,973	2,091 43,669 2,091 43,973
5,903 43,942	5,365 43,940	5,365 43,940	5,365 43,940
6,903 43,642	6,048 43,943 6,202 43,929	6,048 43,943 6,202 43,929	6,048 43,943 6,202 43,929
7,903 43,942	7,257 43,978 7,444 44,021	7,257 43,978 7,444 44,021	7,257 43,978 7,444 44,021
8,403 44,230	9,372 44,440 9,488 44,457	9,372 44,440 9,488 44,457	9,372 44,440 9,488 44,457
8,403 44,230	10,299 44,614 10,584 44,622 10,890 44,614	10,299 44,614 10,584 44,622 10,890 44,614	10,299 44,614 10,584 44,622 10,890 44,614
8,403 44,230	16,029 44,583 16,429 44,536 16,795 44,514 16,915 44,481	16,029 44,583 16,429 44,536 16,795 44,514 16,915 44,481	16,029 44,583 16,429 44,536 16,795 44,514 16,915 44,481
8,403 44,230	7,250 43,811 6,533 43,829	7,250 43,811 6,533 43,829	7,250 43,811 6,533 43,829
8,403 44,230	5,269 43,855	5,269 43,855	5,269 43,855
8,403 44,230	5,250 43,445	5,250 43,445	5,250 43,445
8,403 44,230	5,250 43,855	5,250 43,855	5,250 43,855
8,403 44,230	1,936 43,727	1,936 43,727	1,936 43,727
8,403 44,230	1,250 44,149	1,250 44,149	1,250 44,149
8,403 44,230	0,000 44,180	0,000 44,180	0,000 44,180
8,403 44,230	1,250 44,211	1,250 44,211	1,250 44,211
8,403 44,230	1,970 43,824	1,970 43,824	1,970 43,824
8,403 44,230	4,742 44,119	4,742 44,119	4,742 44,119
8,403 44,230	6,864 44,186	6,864 44,186	6,864 44,186
8,403 44,230	9,282 44,222	9,282 44,222	9,282 44,222
8,403 44,230	10,543 44,264	10,543 44,264	10,543 44,264
8,403 44,230	12,416 44,372	12,416 44,372	12,416 44,372
8,403 44,230	16,018 44,371 16,604 44,305	16,018 44,371 16,604 44,305	16,018 44,371 16,604 44,305